

Accuracy estimation of microwave performance for InP HBTs based on Monte-Carlo analysis

CAO Ke-Jing, ZHANG Ao, GAO Jian-Jun*

(School of Physics and Electronic Sciences, East China Normal University, Shanghai 200241, China)

Abstract: In order to verify the reliability of the circuit, the microwave performance for InP HBTs is analyzed based on Monte-Carlo method. The larger the fluctuation range is, the higher the accuracy of extracting intrinsic parameters is required. The allowable accuracy range can be inferred from the output performance. The microwave characteristics are composed of modeled S-parameters, current gain cut-off frequency and maximum oscillation frequency. The standard deviation of Monte-Carlo numerical analysis can be derived from the uncertainty curve of the intrinsic parameters of the π -topology small signal model. The results of Monte-Carlo analysis show that the requirements for the accuracy of measurement parameters are quite different under different frequencies and bias conditions, which verifies the reliability of the circuit under different conditions.

Key words: heterojunction bipolar transistor, Monte-Carlo methods, current gain cut-off frequency, maximum oscillation frequency, S-parameters

PACS: 85. 30. De

基于蒙特卡洛分析的 InP-HBT 微波特性精度估计

曹珂静, 张傲, 高建军*

(华东师范大学 物理与电子科学学院, 上海 200241)

摘要: 为了验证电路的可靠性, 对 InP 异质结双极晶体管的微波特性进行了基于蒙特卡洛方法的波动分析。器件微波特性的波动程度不同, 波动范围越大说明对本征参数的提取精度要求越高, 可以通过输出特性推断测量可允许的精度范围。微波特性由模型 S 参数、电流增益截止频率和最大振荡频率组成, 根据 π 型拓扑结构小信号模型本征参数的不确定度曲线, 可以导出蒙特卡洛数值分析所需的标准差。蒙特卡洛分析结果表明, 在不同的频率不同的偏置条件下, 对测量参数准确性的要求差异较大, 验证了电路在不同情况下的可靠性。

关键词: 异质结双极晶体管; 蒙特卡洛方法; 电流增益截止频率; 最大振荡频率; S 参数

中图分类号: TN386.6 文献标识码: A

Introduction

InP-based heterojunction bipolar transistors (HBTs) are gradually applied for the field of microwave and millimeter wave integrated circuits (ICs) with the growing frequencies^[1-4]. And accuracy estimation plays an important role in device modeling^[5-7], which is essential for a wide range of circuit design^[6].

In the process of device modeling, the main reason for the accuracy of the output microwave characteristics of the model is the measurement uncertainty. The S-parameters measured by the vector network analyzer

(VNA) are used to establish the small-signal models of the devices. The following uncertainty contributions from measurement should be taken into account: vector network analyzer noise and uncertainty of calibration standard definitions^[8]. The effect of VNA noise is estimated by repeated VNA measurements. Compared with calibration standard uncertainty, the influence of VNA noise is often neglected^[9].

The uncertainty of measured parameters of each frequency is included in the factory instructions in vector network analyzer. The uncertainty of measured S-parameters

Received date: 2021-08-09, revised date: 2022-01-27

收稿日期: 2021-08-09, 修回日期: 2022-01-27

Foundation items: Supported by the National Natural Science Foundation of China (61774058); National Natural Science Foundation of China (62034003)

Biography: CAO Ke-Jing (1996-), female, Shanghai, master. Research area involves microwave device modeling. E-mail: 15900678692@163.com

*Corresponding author: E-mail: jjgao@ee.ecnu.edu.cn

ters will be transferred to the microwave performance accuracy of the HBT model through the de-embedding process and the small-signal circuit parameters extraction. The process of stripping parasitic components (de-embedding) will transfer the uncertainty of measurement parameters. However, many experiments show that the uncertainty transitivity of parasitic components is insignificant, especially for on-chip testing^[10]. The sensitivity analysis and uncertainty estimation of π -type small-signal equivalent circuit of HBTs is derived in the paper^[11]. The study of accuracy in each intrinsic element has been analyzed; the accuracy estimation of microwave performance for the HBT model by Monte-Carlo methods is further discussed in this paper.

Monte-Carlo method is a common numerical tolerance analysis method, which is often used in statistics. In the equivalent circuit, the Monte-Carlo analysis method can be used to estimate the accuracy range of the whole model in combination with the uncertainty of all parameters. The uncertainty of each component has an impact on the accuracy of the HBT small-signal model. The Monte-Carlo method arranges and combines the possible values of all the components in the accuracy range, and carries out the circuit analysis after random sampling.

In the process of electronic circuit design, Monte-Carlo method is one of the important means to verify the results of circuit reliability analysis. It can analyze the impact on electronic components deviating from the standard value on the output performance, and predict the pass rate before the product is putting into production. On the contrary, the accuracy range of components can be deduced when a certain qualification rate is required.

Electronic circuit tolerance analysis can improve the reliability of electronic circuit designs, shorten the design time and save the design cost. Sun has analyzed the tolerance to the circuit accuracy by using the method of moments before^[13], and Teppati has also estimated the uncertainty of the output characteristics of the transistor equivalent circuit^[9]. Thus, it is necessary to estimate the accuracy of the circuit model. In this paper, combined with the Monte-Carlo method, the accuracy of microwave performance for devices can be estimated quickly.

This paper is organized as follows. After describing the small-signal model and uncertainties of the intrinsic elements in Sect. 1, the cutoff frequency, maximum oscillation frequency and S-parameters analysis based on Monte-Carlo methods is derived in Sect. 2. Sect. 3 presents the results and discussion. Finally, conclusion is drawn in Sect. 4.

1 Uncertainty of small-signal model

The uncertainty estimation is based on the small-signal model after de-embedding for HBT devices. Figure 1 gives the intrinsic part of π -topology small-signal equivalent circuit model of HBT devices^[13], and it is the most basic and widely used model.

Where R_{bi} is the intrinsic base resistance. R_{π} represents the base-emitter resistance. C_{μ} and C_{ex} are the in-

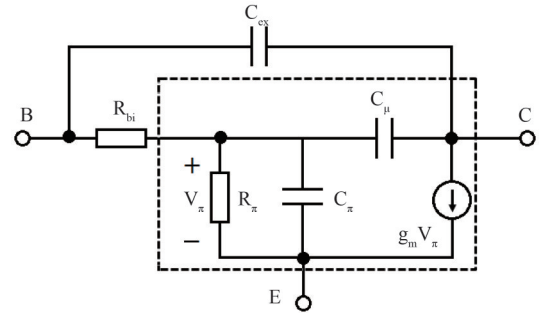


Fig. 1 The intrinsic part of π -topology small-signal equivalent circuit model of HBT devices

图1 π 型HBT器件小信号等效电路模型的本征部分

trinsic and extrinsic base-collector capacitance, respectively. C_{π} is the intrinsic base-emitter capacitance. g_m is trans-conductance, which is expressed as:

$$g_m = g_{m0} e^{-j\omega\tau_{\pi}} \quad (1)$$

where g_{m0} represents DC trans-conductance and τ_{π} is time delay.

Direct extraction method is the simplest and most efficient way to build an equivalent model. In the previous paper^[11] here choose the π -topology model to analyze sensitivity and uncertainty of HBTs. And the subsequent Monte-Carlo analysis in this paper is based on the sensitivity and uncertainty analysis.

Ignoring the effect of de-embedding, the transfer of uncertainty of the intrinsic part is mainly by the extraction of small-signal elements. Just consider the part in the dotted line of Figure 1 to estimate the uncertainty of these five parameters in this paper.

The sensitivity analysis of the extracted values of the elements should be considered when estimating the uncertainty of the intrinsic elements. To illustrate the uncertainty estimation of model parameters with sensitivity directly is difficult. Therefore, combined with sensitivity analysis and VNA instrument uncertainty, the uncertainty of each element can be expressed concretely^[11].

It is worth noting that the uncertainty of each element varies with frequency. But when extracting parameters, the author refers to the point of the minimum uncertainty as the best extraction frequency point. So we only need to consider the minimum uncertainty of each element when we estimate the accuracy of the model circuit performance.

Take C_{π} as an example, Fig. 2 shows the uncertainty of C_{π} at three different bias currents^[11]. It is found that the uncertainty of C_{π} is the smallest at about 5.85 GHz at $I_b = 40 \mu\text{A}$, $V_{CE} = 2 \text{V}$, about 6 GHz at $I_b = 60 \mu\text{A}$, $V_{CE} = 2 \text{V}$, about 5 GHz at $I_b = 80 \mu\text{A}$, $V_{CE} = 2 \text{V}$. Therefore, these frequency points are selected as the best extraction parameter frequency points, and the uncertainties corresponding to these frequencies are the minimum uncertainties σ_{\min} . At the three bias, each σ_{\min} is shown in Table 1, as well as the other four intrinsic elements.

The extracted values and the minimum uncertainties σ_{\min} of five parameters under different bias are given

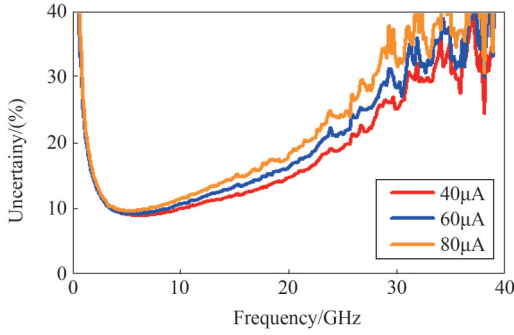


Fig. 2 Estimated relative uncertainty of intrinsic parameters C_π versus frequency

图2 本征参数 C_π 关于频率的相对不确定度

here. And two other weakly biased correlated values are: $C_{ex} = 40$ fF, $R_{bi} = 130 \Omega$. Table 1 summarized the extracted parameters values and minimum uncertainties of intrinsic parameters under the three different bias conditions.

Table 1 Values and minimum uncertainties of intrinsic parameters

表1 本征参数的值和对应最小不确定度

Parameter	$I_b = 40 \mu A$		$I_b = 60 \mu A$		$I_b = 80 \mu A$	
	Value	$\sigma_{min}(\%)$	Value	$\sigma_{min}(\%)$	Value	$\sigma_{min}(\%)$
C_μ/fF	7.600	9.157	7.550	7.868	7.500	8.047
C_π/pF	0.175	8.924	0.202	9.161	0.248	9.620
R_π/Ω	730.0	22.97	506.0	15.28	375.0	14.49
g_{m0}/S	0.065	8.900	0.102	8.720	0.141	8.643
τ_π/ps	0.050	121.4	0.100	107.8	0.12	101.9

As can be seen from Table 1, the extracted parameters values of the different bias conditions are different, because these five elements are strongly biased correlated. It can be found that σ_{min} of C_μ , C_π , g_{m0} are relatively small under 10%. And the σ_{min} of R_π is over 10% for the sensitivity formulas taking the element value as a factor. The reason why the minimum uncertainty of τ_π is the largest is that it is sensitive to the fluctuate of all S-parameters. The σ_{min} of all parameters is related to the bias, but the difference is little, because the parameter extraction values are different under different bias and the optimal extraction frequencies are also different.

2 Theoretical analysis

2.1 Monte-Carlo methods

Monte-Carlo method is a numerical statistics method used to analyze the fluctuation range of device characteristics, which is a mathematical analysis method based on probability. It can not only estimate the accuracy of microwave performance, but also analyze the tolerance in the opposite direction based on the design requirements. By constructing or describing the random distribution of each model parameter in the range of uncertainty and sampling from the random distribution of all parameters, the aggregation of output functions can be established^[14].

Simple mathematical expressions are used to indicate this abstract description. For the random distribution of each variable, Gaussian distribution is selected to express independent variables according to the possible distribution of the elements in the circuit. Suppose there are N numbers of elements in an equivalent circuit, and the expression of each variable can be written as:

$$X_i = \text{Gauss}(\text{value}_i, \sigma_i^2), i = 1, 2, \dots, N \quad (2)$$

where value_i is the extracted value of the corresponding element, which is regarded as the mathematical expectation value in Gaussian distribution. And the standard deviations σ_i correspond to the uncertainty of the element. Define x_i as a sample of X_i , and x_1, x_2, \dots, x_N constitute a sampling model. The sampling model can be expressed as

$$y_k = f(x_1, x_2, \dots, x_N), k = 1, 2, \dots, M \quad (3)$$

here M is the number of samples. As long as M is large enough, the aggregation of y_k can represent the accuracy range of the model.

In the HBT small-signal model described in Fig. 1, $N = 5$. The expectation values of each Gaussian distribution corresponding to the values in Table 1. The standard deviation is σ_{min} of each parameter. In the experiment, here take 200 sampling points, $M = 200$.

2.2 Calculation of microwave characteristics

In order to show the accuracy more intuitively, it is necessary to quantify the microwave characteristics. As the important frequency characteristics of devices, f_T and f_{MAX} are the chief microwave performance^[15]. It is also necessary to compare the modeled S-parameters with the measured S-parameters, which is an index to measure the correctness of the small-signal model. But the scattering parameter itself is a kind of port parameter, so there is no need to quantize it. Only the quantization formulas for f_T and f_{MAX} are given below.

The physical meanings of f_T and f_{MAX} are current gain cutoff frequency and maximum oscillation frequency respectively. There are two definitions of f_T : one is the frequency point where transmission hybrid parameter (H_{21}) is equal to 0dB, and the alternative is extracted from the reciprocal slope of the imaginary part for $1/H_{21}$ in low frequency of the Gummel's method^[16]. It can be simply defined by mathematical expressions:

$$H_{21} = \frac{-2S_{21}}{(1 - S_{11})(1 - S_{22}) + S_{12}S_{21}} \approx \frac{g_{m0}}{2\pi f(C_\pi + C_\mu + C_{ex})} \quad (4)$$

$$f_T = \frac{g_{m0}}{2\pi(C_\pi + C_\mu + C_{ex})} \quad (5)$$

$$\frac{1}{f_T} = \frac{d}{df} \left[\text{Im} \left(\frac{1}{\beta} \right) \right] \Big|_{f \rightarrow 0} \approx H_{21} \quad (6)$$

where H_{21} is the current gain in case of short circuit which can be transformed from S-parameters. At low frequency, the current gain β is approximately equal to H_{21} ^[16].

There are also two ways to define f_{MAX} as the frequency at which U or MSG/MAG are equal to 0 dB. U is Ma-

son's unilateral gain^[17]. MSG and MAG are maximum stable gain and maximum available gain. The choice of MSG/MAG depends on the value of the stability factor k . Here are expressions of defining the parameters:

$$U = \frac{|S_{21}/S_{12} - 1|^2}{2k|S_{21}/S_{12}| - 2\text{Re}(S_{21}/S_{12})}, \quad (7)$$

$$k = \frac{1 - |S_{11}|^2 - |S_{22}|^2 + |S_{11}S_{22} - S_{12}S_{21}|^2}{2|S_{12}S_{21}|}, \quad (8)$$

$$\text{MSG} = \left| \frac{S_{21}}{S_{12}} \right|, k \leq 1, \quad (9)$$

$$\text{MSG} = (k - \sqrt{k^2 - 1}) \left| \frac{S_{21}}{S_{12}} \right|, k \leq 1. \quad (10)$$

All the above parameters expressed by the formulas are based on the small-signal circuit model of HBT and its modeled S-parameters. The accuracy range of the microwave characteristic $I_b = 40 \mu\text{A}$, $V_{CE} = 2 \text{V}$ can be obtained by bringing in the uncertainties of intrinsic elements and the fluctuating S-parameters.

3 Results and analysis

3.1 S-parameters analysis

The comparison between modeled S-parameters and measured S-parameters is one of the criteria to test the correctness of small-signal model in the process of parameter extraction. On the basis of the accuracy of the whole model obtained by Monte-Carlo method, it must impact the magnitude and phase of the four S-parameters.

The experimental observations show that the uncertainties of elements have little effect on the phase of each S-parameter, which hardly fluctuates. Figure 3 uses gray dotted lines to show the sampled S-parameters, and the red lines corresponding to the measured S-parameters. According to the family of grey dotted lines, directly show the fluctuation range of S-parameters when all components fluctuate in Gaussian distribution at the same time. Accuracy ranges of four S-parameters magnitudes versus different frequencies are up to 40 GHz with 40 even points. The bias is $I_b = 40 \mu\text{A}$, $V_{CE} = 2 \text{V}$.

It can be observed from Fig. 3 that the fluctuation of S-parameters magnitude is greatly affected by the uncertainties of the elements. The fluctuation range of S_{21} is the large at low frequencies while S_{12} is greatly influenced by the uncertainties of elements at high frequencies. The relevance between the accuracy range of S_{11} and frequency is small, and S_{22} is more affected by uncertainties than S_{11} .

The main parameters affecting the microwave performances of the device are S_{11} and S_{21} . The physical meaning of S_{11} is the reflection coefficient or reflection loss of the device. And S_{21} reflects the amplification ability (gain) of the active device. It can be seen from the fluctuation range in Fig. 3 and the deviation rate in Fig. 4 that the deviation of the reflection coefficient is small. It indicates that the uncertainty of intrinsic parameters has

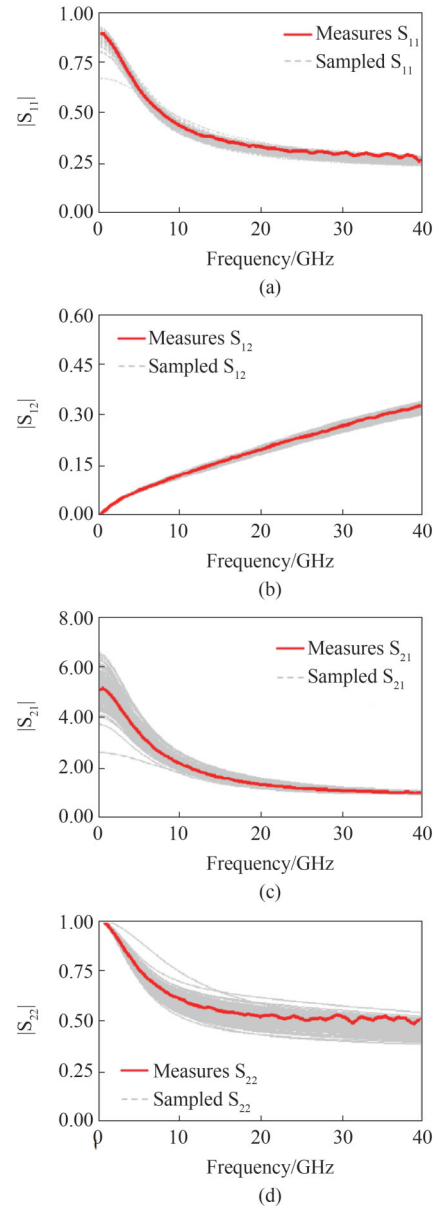


Fig. 3 Magnitude accuracy of S-parameters(45MHz~40GHz)
图3 四个S参数的幅值波动范围(45MHz~40GHz)

little effect on S_{11} , and has little effect on its accuracy. When the frequency is below 10 GHz, the gain (S_{21}) is greatly affected by the fluctuation of intrinsic parameters. It indicates the value of S_{21} in this frequency range is easily affected by the small deviation of parameter extraction, which requires high precision of parameter extraction.

In order to quantify the fluctuation range, a concept called deviation rate is proposed. The definition of deviation rate is as follows:

$$\text{Dev}_{\text{pos}} = \frac{S_{ij}^{\text{max}} - S_{ij}^{\text{standard}}}{S_{ij}^{\text{standard}}} \times 100\% \quad (11)$$

$$\text{Dev}_{\text{neg}} = \frac{S_{ij}^{\text{min}} - S_{ij}^{\text{standard}}}{S_{ij}^{\text{standard}}} \times 100\% \quad (12)$$

Both positive and negative deviation rates change

with frequencies, which are also shown in Fig. 4. Each positive deviation of S-parameters is represented by a blue curve while the negative deviation is represented by a red curve. The bias condition is the same as Fig. 3, $I_b = 40 \mu\text{A}$, $V_{CE} = 2 \text{ V}$.

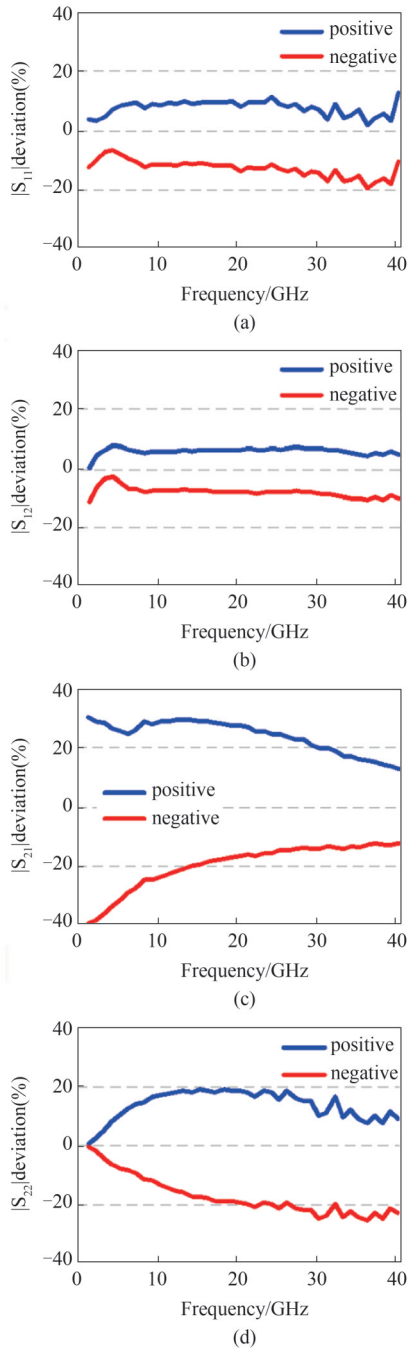


Fig. 4 Positive and negative deviation rates of S-parameters (45 MHz~40 GHz)
图4 四个S参数的幅值正负偏移率(45 MHz~40 GHz)

3.2 Current gain cutoff frequency analysis

From the definition of characteristic frequency (current gain cutoff frequency) f_T in the previous chapter, the first definition is relatively simple and easy to understand. So just need to draw the curve of H_{21} versus fre-

quency to get f_T . As shown in Figure 5, the abscissa value of log type is used to compress the decrease from 45 MHz to 100 GHz, so that the characteristic frequency can be more clearly displayed. It can be seen from the figure that the frequency measured in the experiment at 40GHz cannot reach the frequency of f_T . From the observation of the relationship between H_{21} and frequency, each H_{21} curve is ultimately parallel, decreasing at the speed of -20dB per decade frequency, writing as -20dB/dec.

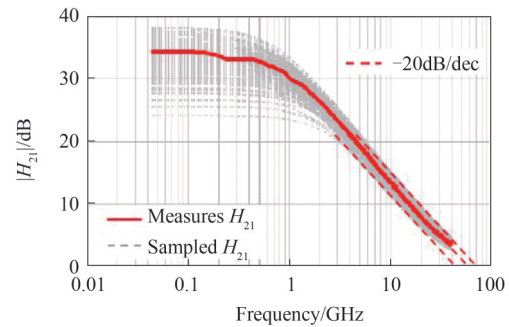


Fig. 5 H_{21} versus frequency and accuracy range of current gain cutoff frequency
图5 H_{21} 随频率的变化和特征频率的波动范围

It is worth noting that H_{21} has a large fluctuation range below 1GHz from Fig. 5. The main factor that affects H_{21} is the gain of transistor, while H_{21} represents the gain. Combined with the four S-parameters, and from the above figure of S_{21} , H_{21} is easy to be affected by the fluctuation of intrinsic parameters at lower frequency, so the accuracy of intrinsic parameters extraction is required to be higher.

Informed of Fig. 5, can find that the accuracy of f_T is obvious. The red dotted lines are -20dB/dec extended reference lines, which draw the extension line of the measured data and the extension line range given by the sample data. From the -20dB/dec extension lines, the accuracy range of f_T is about 45 to 71 GHz at $I_b = 40 \mu\text{A}$, $V_{CE} = 2 \text{ V}$. The value ranges of f_T under the other two bias conditions are also obtained, which are listed in Table 2 together with f_{MAX} . When the collector-emitter voltage is fixed, the larger the base input current is, the larger the value of f_T is. It can also be seen from the experimental data in Table 2 that the accuracy range increases with the increase of I_b .

3.3 Maximum oscillation frequency analysis

f_{MAX} is an important power index in RF circuit design. The two definitions mentioned in the theoretical analysis are discussed separately in Figure 6. It is similar to the method of f_T , draw the curve of U_{dB} versus frequency, and extend the curve to $U=0 \text{ dB}$ according to -10 dB/dec extension line. Since power corresponds to the formula of square $U_{dB}=10 \log_{10} U$, use -10dB/dec instead of -20 dB/dec here. In addition, the curve connecting MSG and MAG is also drawn for comparison in Fig. 6. Both of them use the gray dotted lines to repre-

sent the accuracy range.

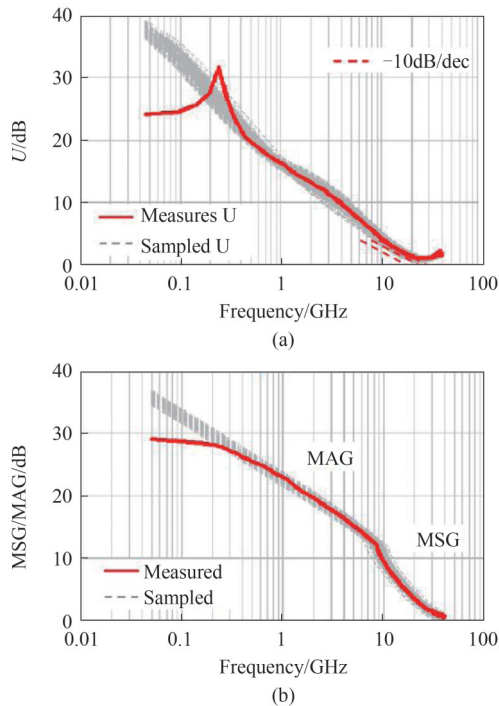


Fig. 6 U and MSG/MAG versus frequency with uncertainty
图6 U 和MSG/MAG随频率的变化的波动范围

It can be seen from Fig. 6 that the variation of f_{MAX} is also obvious, which indicates that the uncertainties obtained by the measurement of the intrinsic elements greatly affect the performance of microwave characteristics. The values of f_{MAX} obtained by the two definitions have little different. The accuracy range defined by U_{dB} is much larger than that defined by MSG/MAG. Compared with the curve of f_{T} , the fluctuation of the curve obtained by the two definitions of f_{MAX} is smaller.

And the accuracy ranges of f_{MAX} under the three bias conditions ($I_{\text{b}} = 40 \mu\text{A}$, $I_{\text{b}} = 60 \mu\text{A}$ and $I_{\text{b}} = 80 \mu\text{A}$) are tabulated in Table 2 together with f_{T} .

Table 2 Values and accuracy range of f_{T} and f_{MAX} at three bias points

表2 f_{T} 和 f_{MAX} 的值和波动范围

Bias	$I_{\text{b}} = 40 \mu\text{A}$		$I_{\text{b}} = 60 \mu\text{A}$		$I_{\text{b}} = 80 \mu\text{A}$	
	Value	Accuracy	Value	Accuracy	Value	Accuracy
f_{T}	60	(45,71)	68	(53,88)	87	(66,100)
$f_{\text{MAX}}(U)$	31	(23,40)	43	(30,52)	50	(36,70)
$f_{\text{MAX}}(\text{MSG/MAG})$	32	(31,40)	46	(40,52)	53	(45,63)

It can be seen from Table 2 that when the voltage is constant, the larger the bias current is, the larger the values of f_{T} and f_{MAX} are. The larger the values of f_{T} and f_{MAX}

are, the larger the fluctuation ranges are. This shows that when the bias current is larger, the microwave performance of the device has tighter requirement on the accuracy of the intrinsic parameters extraction.

4 Conclusion

This paper presents an accuracy estimation method for microwave performance of InP HBTs based on Monte-Carlo analysis. Based on the π -topology small-signal model, the intrinsic elements transmit the uncertainty of measurement parameters. Through the derivation and analysis of Monte-Carlo method, an approach to estimate the overall microwave performance of the model is obtained. Accuracy ranges of the modeled S-parameters, current gain cutoff frequency and maximum oscillation frequency are presented in details. The results reflect the uncertainty of VNA measurement S-parameters affects the microwave performance in different degrees. It is necessary to evaluate the performance of devices before the circuit design, and Monte-Carlo analysis is an important index. Thus, some EDA simulation tools have the function of Monte-Carlo simulation to improve reliability. This paper mainly from the statistical point of view on the Monte-Carlo analysis, combined with sensitivity and uncertainty, analyzed the accuracy performance of microwave performance.

References

- [1] GAO Jian-Jun. *Heterojunction Bipolar Transistor for Circuit Design—Microwave modeling and parameter extraction* [M]. Singapore: Wiley, 2015.
- [2] ZHANG Ao, ZHANG Yi-Xin, WANG Bo-Ran, *et al.* An approach to determine small-signal model parameters for InP HBT up to 110 GHz [J]. *J. Infrared Millim. Waves*, 2018, **37**(6): 688–692.
- [3] XU Zhong-Chao, LIU Jun, QIAN Feng, *et al.* On-wafer test structures modeling for the InP DHBTs in the frequency range of 0.1–325 GHz [J]. *J. Infrared Millim. Waves*, 2019, **38**(3): 345–350.
- [4] Shiratori Y, Hoshi T, Matsuzaki H. InGaP/GaAsSb/InGaAsSb/InP Double Heterojunction Bipolar Transistors With Record f_{T} of 813 GHz [J]. *IEEE Electron Device Letters*, 2020, **41**(5): 697–700.
- [5] ZHANG Ao, GAO Jian-Jun. An approach to determine cutoff frequency and maximum oscillation frequency of common emitter heterojunction bipolar transistor [J]. *International Journal of Numerical Modelling Electronic Networks Devices and Fields*, 2019, **33**(3): 1–11.
- [6] Kolev L. Worst-case tolerance analysis of linear DC and AC electric circuits [J]. *IEEE Transactions on Circuits and Systems I: Fundamental Theory and Applications*, 2002, **49**(12): 1693–1701.
- [7] CHEN Zhi-Kai, XU Yue-Hang, WANG Chang-Si, *et al.* A Large-Signal Statistical Model and Yield Estimation of GaN HEMTs Based on Response Surface Methodology [J]. *IEEE Microwave and Wireless Components Letters*, 2016, **26**(9): 690–692.
- [8] Teppati V, Ferrero A. A Comparison of Uncertainty Evaluation Methods for On-Wafer S-Parameter Measurements [J]. *IEEE Transactions on Instrumentation and Measurement*, 2014, **63**(4): 935–942.
- [9] Teppati V, Tirelli S, Lövbom R, *et al.* Accuracy of Microwave Transistor f_{T} and f_{MAX} Extractions [J]. *IEEE Transactions on Electron Devices*, 2014, **61**(4): 984–990.
- [10] Masood S M, Johansen T K, Vidkjaer J, *et al.* Uncertainty Estimation in SiGe HBT Small-Signal Modeling: *European Gallium Arsenide and Other Semiconductor Application Symposium, GAAS 2005* [C]. Paris, France: IEEE, 2005: 393–396.
- [11] CAO Ke-Jing, ZHANG Ao, GAO Jian-Jun. Sensitivity analysis and uncertainty estimation in small-signal modeling for InP HBT [J]. *Int J Numer Model El*, 2020: 1–11.
- [12] SUN Wei, CHEN R.M.M.; JIANG Yao-Lin. Tolerance analysis for electronic circuit design using the method of moments: 2002 IEEE

- International Symposium on Circuits and Systems, Proceedings (Cat. No.02CH37353), 2002[C]. Phoenix-Scottsdale, AZ, USA: IEEE, 2002: 1-1.
- [13] GAO Jian-Jun, LI Xiu-Ping, WANG Hong, *et al.* Improved analytical method for determination of small-signal equivalent-circuit model parameters for InP/InGaAs HBTs [J]. *IEEE Proceedings - Circuits, Devices and Systems*, 2005, **152**(6):661-666.
- [14] Lieber D, Nemirovskii A, Rubinstein R Y. A fast Monte Carlo method for evaluating reliability indexes [J]. *A fast Monte Carlo method for evaluating reliability indexes*, 1999, **48**(3):256-261.
- [15] Mairiaux E, Desplanque L, Wallart X, *et al.* Microwave Performance of InAlAsSb/In_{0.35}Ga_{0.65}Sb/InAlAsSb Double Heterojunction Bipolar Transistors [J]. *IEEE Electron Device Letters*, 2010, **31**(4):299-301.
- [16] Gummel H. On the definition of the cutoff frequency f_T [J]. *Proc. IEEE*, 1969, **57**(12):2159-2162.
- [17] Bolognesi C R, Matine N, Dvorak M W, *et al.* InP/GaAsSb/InP DHBTs with high f_T and f_{MAX} for wireless communication applications: Gallium Arsenide Integrated Circuit (GaAs IC) Symposium, 21st Annual, 1999 [C]. Monterey, CA, USA: IEEE, 1999:63-66.